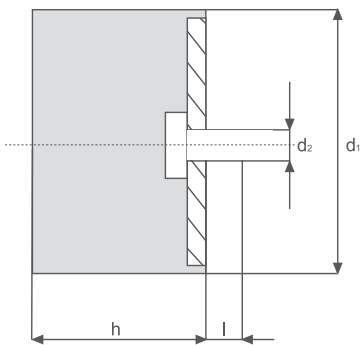


Gummi-Metall-Element, zylindrisch mit einem Gewindebolzen
Rubber-to-metal element, cylindrical with one threaded bolt



Artikel - Nr. Article - No.	d ₁ (mm)	h (mm)	d ₂ (mm)	l (mm)
GD-010x010	10	10	M4	10
GD-015x008	15	8	M4	10
GD-015x010	15	10	M4	10
GD-015x020	15	20	M4	13
GD-020x010	20	10	M6	18
GD-020x015	20	15	M6	18
GD-020x020	20	20	M6	18
GD-020x025	20	25	M6	18
GD-025x010	25	10	M6	18
GD-025x015	25	15	M6	18
GD-025x020	25	20	M6	18
GD-025x025	25	25	M6	18
GD-025x030	25	30	M6	18
GD-030x015	30	15	M8	20
GD-030x020	30	20	M8	20
GD-030x025	30	25	M8	20
GD-030x030	30	30	M8	20
GD-030x040	30	40	M8	20
GD-040x020	40	20	M8	23
GD-040x030	40	30	M8	23
GD-040x040	40	40	M8	23
GD-050x020	50	20	M10	28
GD-050x030	50	30	M10	28
GD-050x040	50	40	M10	28
GD-050x050	50	50	M10	28
GD-060x040	60	40	M10	28
GD-070x025	70	25	M10	35
GD-070x045	70	45	M10	28
GD-075x025	75	25	M12	37
GD-075x040	75	40	M12	37
GD-075x050	75	50	M12	37
GD-100x040	100	40	M16	41
GD-100x050	100	50	M16	41
GD-100x060	100	60	M16	41
GD-100x075	100	75	M16	41
GD-150x050	150	50	M16	41
GD-150x060	150	60	M16	41
GD-150x075	150	75	M16	41

Gummiwerkstoff: NR 55° Shore A (mittel), auch in Härten von 40° - 85° in 5° Schritten lieferbar
 Metalle: Stahl verzinkt
 Rubber material: NR 55° Shore A (medium), also available in 40° - 85° Shore (steps of 5°)
 Metal parts: galvanised steel